



WE ARE THE SPECICOOOLIST!

MBF8004/MBF8001
MBF8005/MBF8002

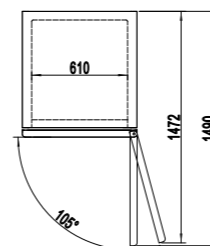
TOP MOUNTED GASTRONORM REFRIGERATORS/FREEZERS



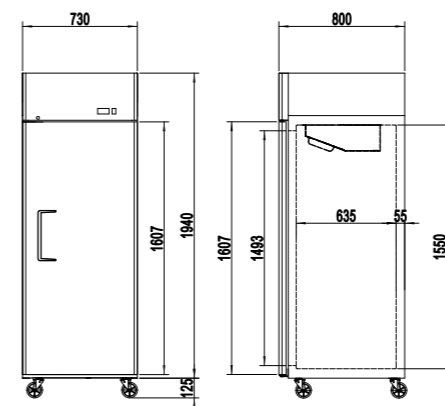
Gastronorm Single Door
Storage Refrigerator/Freezer

MBF8004

MBF8001



MBF8004
MBF8001



INFORMATION	MBF8004	MBF8001
Capacity	600L	600L
Power	330W	550W
Voltage	220~240V/50Hz	220~240V/50Hz
Working Temp	-2°C~+8°C	-22°C~-17°C
Ambient Temp	43°C	43°C
Refrig Gas Type	R600a	R290
Dimensions(mm)	W730 x D805 x H2065,107kg	W730 x D805 x H2065,115kg
Packaging Dimensions(mm)	W774 x D879 x H2147,122kg	W774 x D879 x H2147,135kg
RRP	\$3,669.00	\$4,129.00

FEATURES

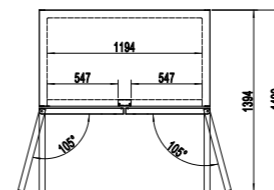
- Top mount compressor units
 - Exterior and interior stainless steel construction
 - Self-closing and stay open door
 - Efficient refrigerations system
 - Round corner design
 - Recessed door handle
 - Standard safety door lock
 - Magnetic door gaskets
 - Pre-installed castors
 - Pre-installed mid-shelves
 - Allow 100 mm clearance for air ventilation
 - Remove compressor brackeprior to use
 - Fits GN Pans
 - Comes with 6 wired shelves
- RRP \$84.50 each



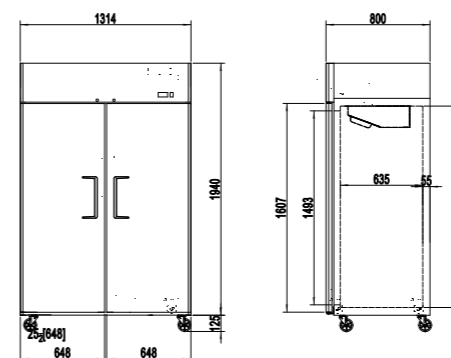
Gastronorm Double Door
Storage Refrigerator/Freezer

MBF8005

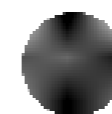
MBF8002



MBF8005
MBF8002



INFORMATION	MBF8005	MBF8002
Capacity	1200L	1200L
Power	408W	830W
Voltage	220~240V/50Hz	220~240V/50Hz
Working Temp	-2°C~+8°C	-22°C~-17°C
Ambient Temp	43°C	43°C
Refrig Gas Type	R600a	R290
Dimensions(mm)	W1314 x D805 x H2065,171kg	W1314 x D805 x H2065,185kg
Packaging Dimensions(mm)	W1368 x D889 x H2147,200kg	W1368 x D889 x H2147,210kg
RRP	\$5,049.00	\$5,624.00



2 YEARS WARRANTY ON ALL PARTS & LABOUR
EXTRA 2 YEARS WARRANTY ON PARTS WHEN YOU REGISTER WITH US ONLINE

* All prices are EX-GST

* All prices are EX-GST



WE ARE THE SPECICOOLIST!

MBF8006
MBF8003

TOP MOUNTED GASTRONORM REFRIGERATORS/FREEZERS



Gastronorm Three Door Storage Refrigerator/Freezer

MBF8006

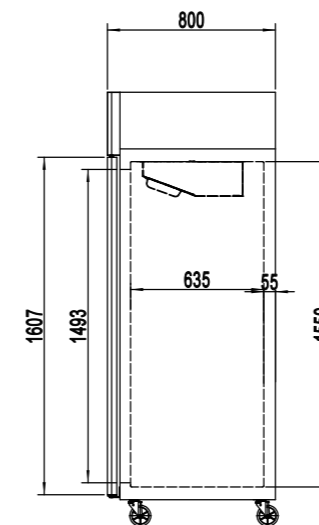
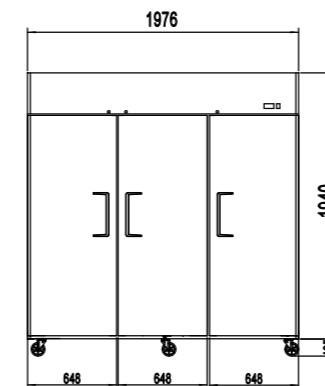
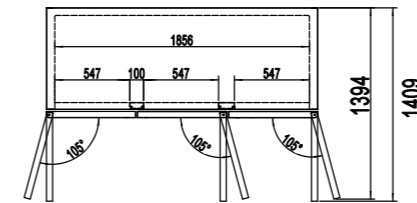
MBF8003

FEATURES

- Top mount compressor units
- Exterior and interior stainless steel construction
- Self-closing and stay open door
- Efficient refrigeration system
- Round corner design door handle
- Standard safety door lock
- Magnetic door gaskets
- Pre-installed castors
- Pre-installed mid-shelves
- Allow 100 mm clearance for air ventilation
- Remove compressor bracket prior to use
- Fits GN pans
- Comes with 9 wired shelves
- RRP \$84.50 each



MBF8006
MBF8003



INFORMATION

MBF8006

Capacity	1800L
Power	570W
Voltage	220~240V/50Hz
Working Temp	-2°C~+8°C
Ambient Temp	43°C
Refrig Gas Type	R290
Dimensions(mm)	W1976 x D805 x H2065,200kg
Packaging Dimensions(mm)	W2030 x D889 x H2147,236kg
RRP	\$7,119.00

INFORMATION

MBF8003

Capacity	1800L
Power	1200W
Voltage	220~240V/50Hz
Working Temp	-22°C~-17°C
Ambient Temp	43°C
Refrig Gas Type	R290
Dimensions(mm)	W1976 x D805 x H2065,200kg
Packaging Dimensions(mm)	W2030 x D889 x H2147,236kg
RRP	\$8,269.00



2 YEARS WARRANTY ON ALL PARTS & LABOUR
EXTRA 2 YEARS WARRANTY ON PARTS WHEN YOU REGISTER WITH US ONLINE

* All prices are EX-GST

* All prices are EX-GST