



800 SERIES DOUBLE OVEN RANGE

2 off 508 mm Gas Oven

PF8220 - Gas

- High performance, even heat 28 Mj cooktop burners for peak productivity
- Constant pilot flame as standard, maximises operating and energy efficiency
- Heavy duty removable, easy clean cast iron trivets
- Stainless steel fascia and sides, spill zone and drip trays for ease of cleaning
- Flexible modular cooktop design enables many combinations of Burners, Griddle and BBQ
- Static, fan forced or convection oven options in gastronorm compatible sizes
- Ovens are fully insulated vitreous enamel for even heat and easy cleaning
- Heavy duty welded steel body for rigidity and durability

Other options

Gas fan forced oven

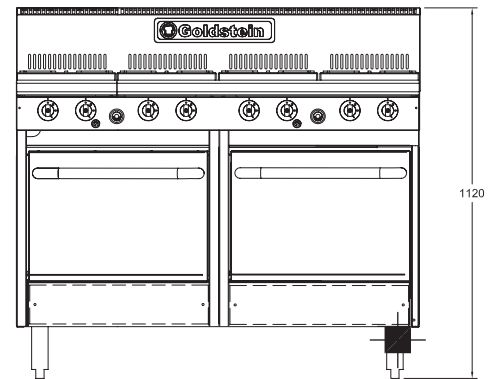
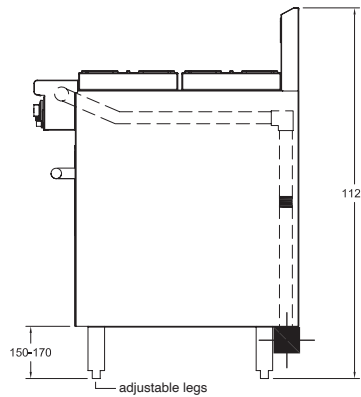
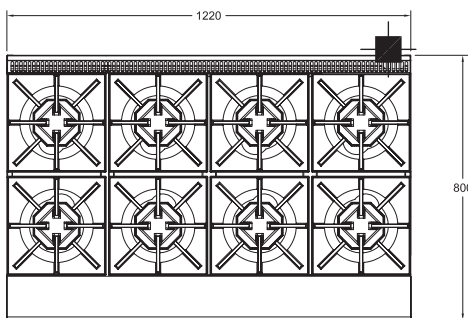
Electric fan forced or convection oven with gas cooktop

Flame failure on open burners

Glass door to oven

Castors

Drop-on Griddle, Drop-on Char Grill



PF8220

SPECIFICATIONS

Dimensions (WxDxH)	1220 x 800 x 1120 mm
Working height	914 mm
Oven Size (WxDxH)	508 x 560 x 355 mm x 2
Burners	8

3/4" BSP Gas Connection

Weight	258 kg
Packed	1.1 m ³
Gas Connection	3/4" BSP
Rating	232 MJ

Australia's premier food service equipment manufacturer

goldstein.com.au

211-217 Woodpark Road, Smithfield NSW 2164
1800 013 123 | +61 2 9604 7333

 **MIDDLEBY AUSTRALIA**

