

# Bonn

## HIGH PERFORMANCE SERIES MICROWAVE OVEN with **microSave**<sup>™</sup>



**1400W  
DUAL  
MAGNETRONS**



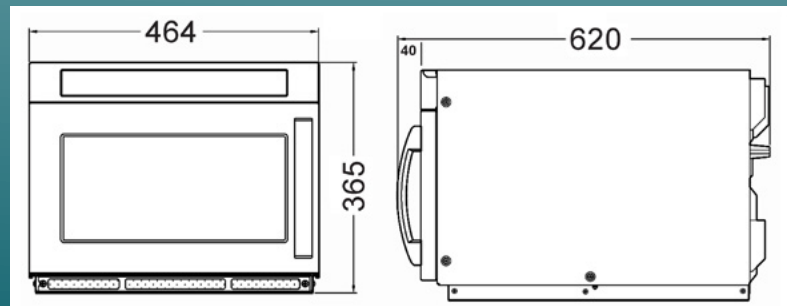
**The Bonn CM-1401T with 1400 Watts of cooking power output offers market leading speed. Heavy Duty construction, high power, 200 programs and Bonn's unique *MicroSave* protection makes the CM-1401T the most advanced Heavy Duty Commercial Microwave Oven.**

The unique removable *MicroSave* cavity liner reduces service costs by up to 80% and extends the life of the oven and significantly improves hygiene by collecting all spills/spatters for easy cleaning. The patented *MicroSave* liner is available as an optional extra and is a must for all professional users.

The CM-1401T Oven utilises Dual Magnetron technology thus reducing the operating temperature of each magnetron by up to 50% when compared to single magnetron ovens - meaning a longer life span with greater reliability.

### SPECIFICATIONS

Electrical: 240 V/ 50Hz, Single Phase 10amp plug  
Current Draw: 9.9A  
Microwave Power: 1400W  
Number of Power levels: 4  
Number of Programs: 200  
Construction: Stainless Steel Interior and Exterior  
Inner Door Construction: Toughened Glass  
Outer Dimensions: (WxDxH) 464mm x 580mm x 365mm  
Cavity Volume: 26L  
Cavity Dimensions: (WxDxH) 370mm x 370mm x 190mm  
Net Weight: 32kgs  
Warranty: 24 Months parts, 13 Months labour\* †



\*† Full terms & conditions available from FSM P/L