

Bonn

HIGH PERFORMANCE SERIES MICROWAVE OVEN with **microSave**™

**1900W
DUAL
MAGNETRONS**



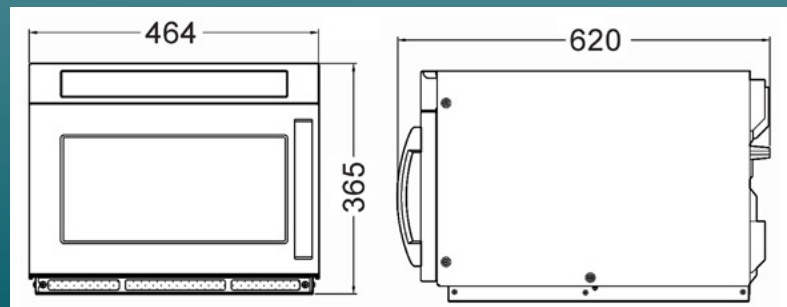
The Bonn CM-1901T with 1900 Watts of cooking power output offers market leading speed. Heavy Duty construction, high power, 200 programs and Bonn's unique *MicroSave* protection makes the CM-1901T the most advanced Heavy Duty Commercial Microwave Oven and the Number One choice amongst professionals.

The unique removable *MicroSave* cavity liner reduces service costs by up to 80% and extends the life of the oven and significantly improves hygiene by collecting all spills/spatters for easy cleaning. The patented *MicroSave* liner is available as an optional extra and is a must for all professional users.

The CM-1901T Oven utilises Dual Magnetron technology thus reducing the operating temperature of each magnetron by up to 50% when compared to single magnetron ovens - meaning a longer life span with greater reliability.

SPECIFICATIONS

Electrical: 240 V/ 50Hz, Single Phase 15amp plug
Current Draw: 14.9A
Microwave Power: 1900W
Number of Power levels: 4
Number of Programs: 200
Construction: Stainless Steel Interior and Exterior
Inner Door Construction: Toughened Glass
Outer Dimensions: (WxDxH) 464mm x 620mm x 365mm
Cavity Volume: 26L
Cavity Dimensions: (WxDxH) 370mm x 370mm x 190mm
Net Weight: 32kgs
Warranty: 24 Months Parts, 13 Months Labour* †



*† Full terms & conditions available from FSM P/L