

## PIZZA TABLE-DOOR

REFRIGERATOR  
MODEL : CTPR -93SD



- Pans included.

### FEATURES / BENEFITS

#### ■ COLD AIR CURTAIN SYSTEM

Our innovative forced air system allows cold air to flow all around the food pan area, covering not only underneath the pan, but also to the front, top and the rear.

#### ■ STAINLESS STEEL CABINET CONSTRUCTION

The Turbo Air Super Deluxe model boasts a stainless steel interior and exterior (galvanized steel back & bottom). It guarantees the utmost in cleanliness and long product life. The Super Deluxe can add a touch of style to the most refined setting.

#### ■ STURDY, CLEAN STAINLESS STEEL SHELVING

Shelves are the most important part of cleanliness as they come in direct contact with food. After a while, PVC coated wire shelves may peel, rust and lead to unsanitary conditions. Only the Turbo Air Super Deluxe series uniquely provides stainless steel shelving.

#### ■ EXTRA DEEP CUTTING BOARD

Our cutting board is 490mm deep and 12mm thick to provide ample working space, and is made of easy to use and sanitize LDPE (Low Density Polyethylene). The new side rail cutting board bracket makes it easy to secure and remove the cutting board.

#### ■ SIDE MOUNT COMPRESSOR UNIT

By positioning the compressor on the side of the unit, refrigerators can now be serviced without being moved.

#### ■ INSULATED PAN COVER

#### ■ HIGH-DENSITY POLYURETHANE INSULATION

The entire cabinet structure and solid doors are foamed-in-place using high density, CFC free polyurethane insulation.

#### ■ EFFICIENT REFRIGERATION SYSTEM

Turbo Air's solid door refrigerators are designed with oversized and balanced refrigeration systems. These include efficient evaporators and condensers for faster cooling and greater efficiency.

#### ■ EXCELLENT COOLING SYSTEM

The powerful forced-air refrigeration system maintains the storage cabinet at a constant temperature. The evaporator fan and a newly designed stainless steel louver allow uniform distribution of cold air to the food pans and throughout the unit to keep food temperature within the NSF standard 7 requirements.

#### ■ ERGONOMICALLY DESIGNED DOORS

Customers' fatigue fades away with easy grip handles and doors that open effortlessly. These features along with self-closing doors make this the ultimate choice in customer convenience. ABS sheet door liners resist water condensation with thermal efficiency.

Model	Swing Door	Capacity (litres)	#of Shelves	HP	AMPS	Crated Weight (kg)	W x D x H (mm)
CTPR-93SD	3	878	6	3/4	7.0	262	2362 x 820 x 1069

# PIZZA TABLE-DOOR

**REFRIGERATOR**  
**MODEL : CTPR -93SD**

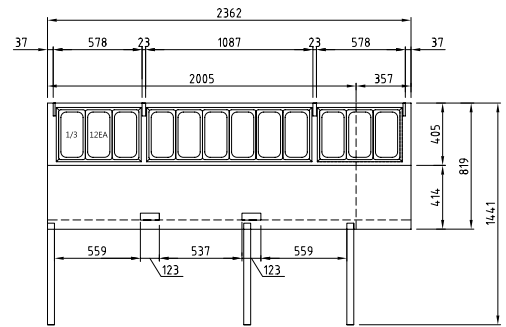
## Model : CTPR-93SD

## PLAN VIEW

(unit : mm)

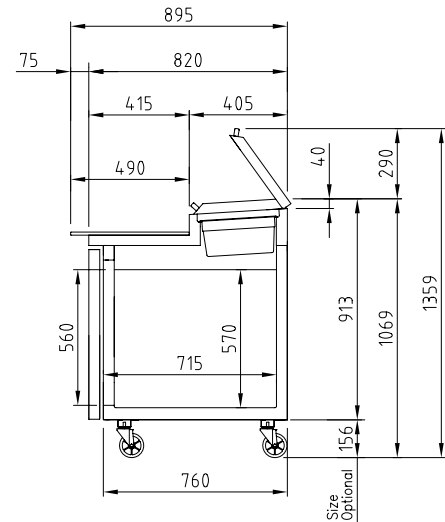
SPEC SHEET	CTPR-93SD
Classification	Refrigerator
Cabinet dimension (WxDxH mm)	2362x820x1069
Capacity (Liters)	878
Inner Temperature	1°C ~ 8°C
Ambient Temperature	40°C
Doors	3
# of shelves	6
# of Pans	12
# of Hood	3
Refrigerant	R-404a
Compressor (HP)	3/4
Cooling Type	Fan cooling type
Insulation Type	Polyurethane/ Cyclopentane+CFC Free
Temperature Control Type	Thermostat
Amps (A)	7.0
Voltage (V/Hz/Ph)	240V 50Hz 1Ph
Power (W)	660
Weight (Kg)	262

Design and specifications subject to change without notice.  
Actual shipping weight may differ due to extra packing materials for product protection.



TOP VIEW

- DOOR LOCKS STANDARD
- SELF-CONTAINED SYSTEM
- STANDARD 4" SWIVEL CASTERS WITH LOCKS ON THE FRONT SET
- STANDARD 1/3 SIZE, 150MM DEEP CONDIMENT PANS INCLUDED
- 490MM DEEP, 12MM THICK CUTTING BOARD INCLUDED



SIDE VIEW

**WARRANTY** **2 YEARS**  
PARTS & LABOUR



## AUSTRALIA BRANCH

**Turbo air**

TURBO AIR PTY LTD  
[www.turboairinc.com.au](http://www.turboairinc.com.au)  
1st Floor, Building E  
10 Highgate St, Auburn  
NSW 2144 Australia  
T. 02 9737 9881