

MULTIMAX 10-11

GN 10+1 X 1/1

Combi steamer, electric, left hinged



HIGHLIGHTS

- 5" touch-display (resistiv)
- Language neutral operation
- Push-dial
- Eloma live steam system
- 6 fan speed levels, programmable
- HACCP data logging and display
- Semi-automatic cleaning system (autoclean® optional)
- SPS®: Steam protection system
- Active Temp: automatic preheat / cool down

MULTIMAX 10-11 GN 10+1 X 1/1

DIMENSIONS

Width x depth x height in mm: 925 x 805 x 1120

Weight: 140 kg

Weight with packaging: 165 kg

Number levels: 10+1 x GN 1/1

Distance between levels: 67 mm

Cooking chamber volume: 398 l

ELECTRICAL SUPPLY

Voltage: 400V/ 3 N AC

Connection load: 17,00 kW

Rated current: 24,8 Amp

Protection: 3 x 25 Amp

Res. current circuit breaker, frequency converter IPH: 10Amp

Recommended cross section: 4 qmm

Noise emission: < 70 dB (A)

Article number: EL1103002-2A

EL1103009-2A ¹⁾

EL1103005-2A ²⁾

EL1103007-2A ³⁾

¹⁾ - no Autoclean, no Multi Eco system

²⁾ - no Multi Eco system

³⁾ - no Autoclean

SAFETY CLEARANCE

Rear: min. 50mm

Right: min. 50mm

Left: min. 50mm

Minimum distance to heat sources: min. 50mm

LOADING CAPACITY

GN 1/1: 10+1

EN / BN*: 8

Plates max Ø32 cm: 26

*Serial-hanging racks GN, EN/BN hanging racks available with accessories

WATER CONNECTION

Water supply/dim: 2 x G 3/4" A

Flow pressure: 2 - 6 bar (200 - 600 kPa)

DRAIN SYSTEM

Version: permanent connection (rec.) or funnel waste trap

Type: DN50 (min. Ø internal: 46mm)

Slope for waste water pipe: min. 3%

WATER QUALITY

General requirement: drinking water

Total hardness: ≤ 3°dh / 70 - 125 ppm / 7-13° TH / 5-9 °e

pH-value: 7,0 - 8,5

Cl (chloride): max. 60 mg/l

Cl₂ (free chlorine): max. 0.2 mg/l

SO₄²⁻ (sulphate): max. 150 mg/l

Fe (iron): max 0.1 mg/l

Temperature: max. 40°C

Electrical conductivity: min. 20 µ S/cm

Water pressure: 4 bar (2 - 6 bar)

WATER CONSUMPTION

Soft water: 19 l/h (at 4 bar)

Hard water: 55 l/h (at 4 bar)

HEAT EMISSION

latent: 6,12 MJ/h, sensitive: 4,284 MJ/h

STANDARDS

Safety: VDE - UL-CSA, SVGW, WRAS

Protection: IPX 5

Built according to: DIN 18866-2



MULTIMAX 10-11 GN 10+1 X 1/1

STANDARD FEATURES

8 operating modes from 30°C to 300°C
5" touch-display (resistiv)
Language neutral operation
Push-dial
Eloma live steam system
Steptronic®
Clima-active: active dehumidification and air inlet
Fan speed in 5 levels and pulsed
Autoreverse fan wheel for even results
HACCP data logging and display
e/2 – energy savind mode
Time setting from 1 min to 24 h and continues operation
Start time setting up to 24h

Semi-automatic cleaning system
Multi-point-core-temperature sensor
Active Temp
Safety door lock
Integrated spray hose
Steam discharge
SPS®: Steam protection system
Manual steaming
Regeneration mode
Delta-T cooking
LT-cooking
Programlist for up to 99 programs, with each 9 steps

OPTIONS

Right hinged
Multi-eco-system – heat reclamation
autoclean®
Special voltages

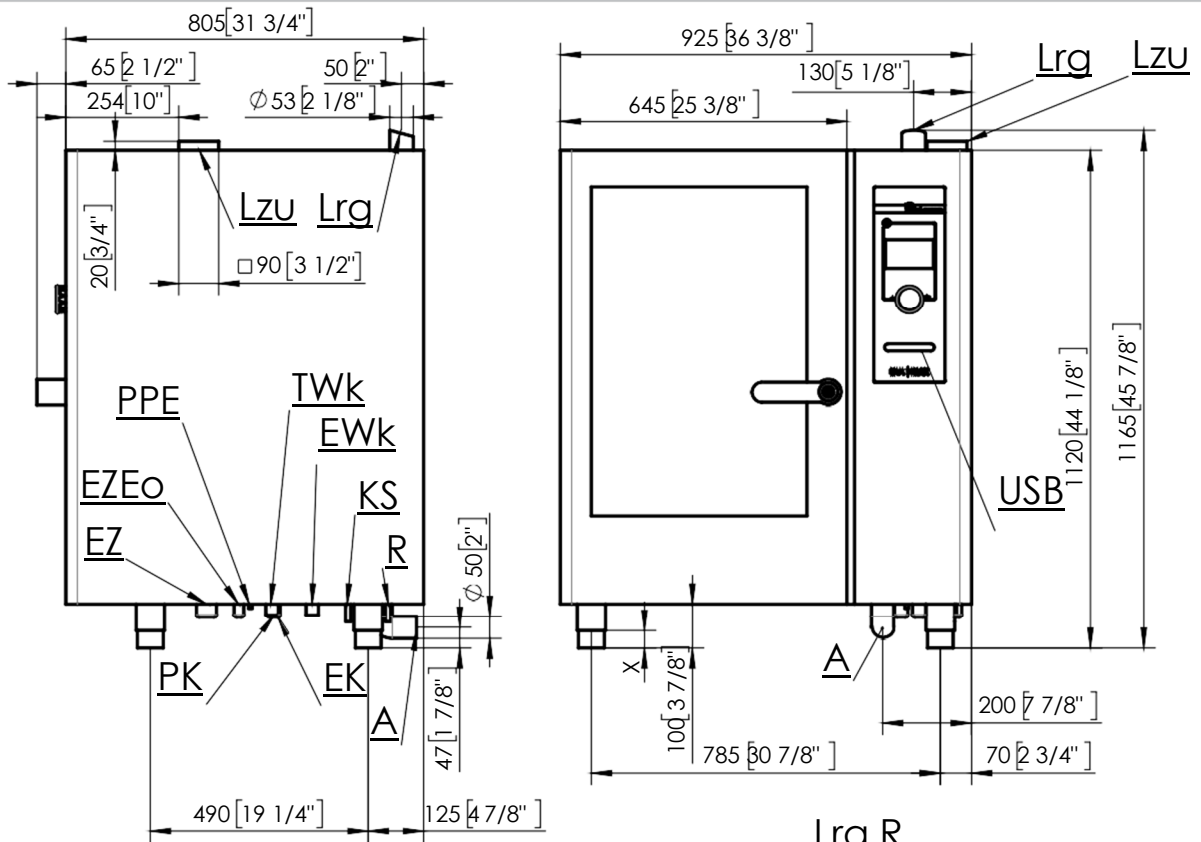
Ocean version
External core temperature probe
Connection energy optimisation
LAN-connection

ACCESSORIES (EXTRACT)

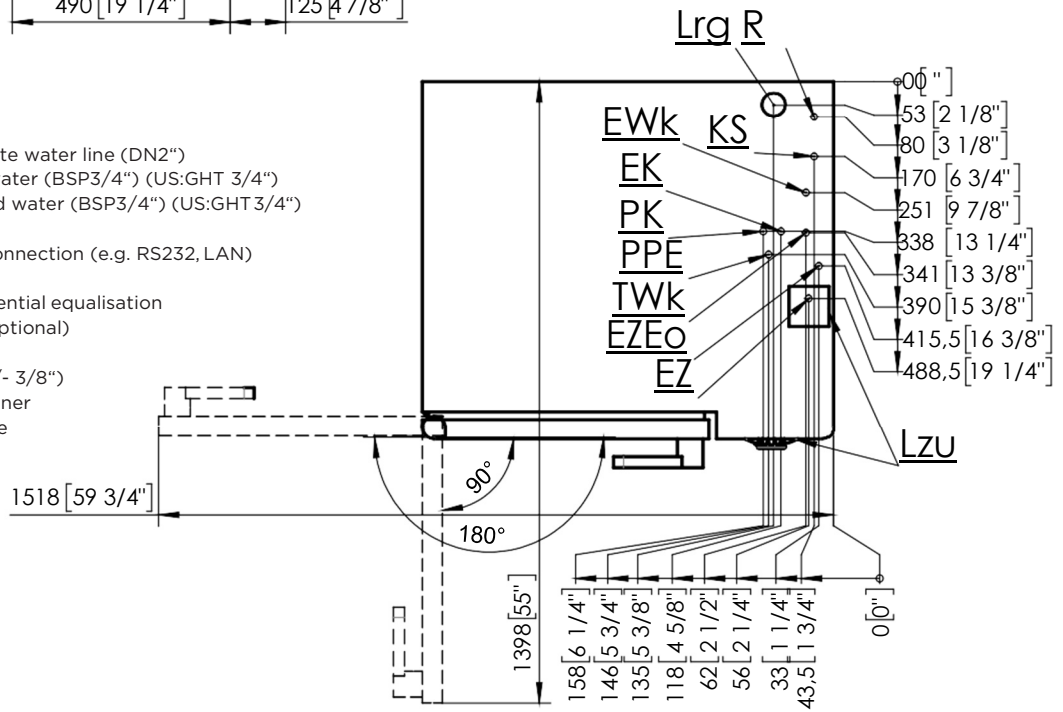
Multi-eco condensationhood
Combimix-Kits, support stands and condensation hoods
for mix-stations
Vario-hanging racks for GN 1/1 and BN 46
Mobile tray rack, push-in-frame

Mobile plate rack
SmokeFit smoking device
Trays, grids and pans
ProConnect data management software





- Lzu Supply air opening
- Lrg Exhaust air pipe
- A Connection for waste water line (DN2")
- EWk Connection for soft water (BSP3/4") (US:GHT 3/4")
- TWk Connection for hard water (BSP3/4") (US:GHT 3/4")
- EZ Power supply
- EK Communications connection (e.g. RS232, LAN)
- USB USB port
- PPE Connection for potential equalisation
- PK Floating contact (optional)
- EZEo Power optimization
- X Feet, adjustable (+/- 3/8")
- R Connection for cleaner
- KS Connection for rinse



an Ali Group Compar



The Spirit of Excellence