

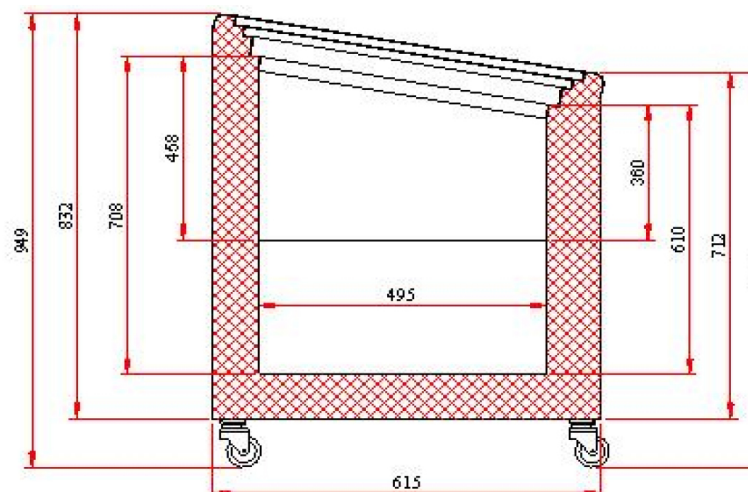
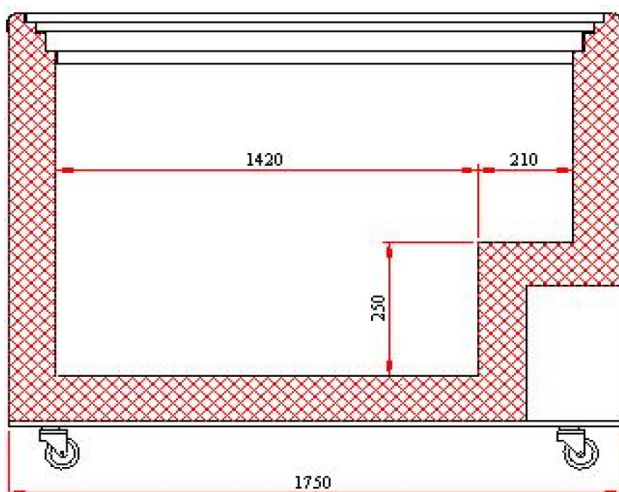
Angled Glass Top 555L Chest Freezer

| Chest Freezers



Angled Glass Top 555L Chest Freezer

| Chest Freezers



SPECIFICATIONS

Part Number	3736204-NR
Capacity	555L
Temperature Range	-22 to -12°C
Max. Ambient Temp.	35°C
Energy Consumption	3.96 kWh/24h
GEMS Star Rating	6 stars
Climate Class	4 L1
Current	1.94A
Gross Weight	114kg
Packaged Dimensions	1790 x 680 x 980 mm
Air-Circulation	Static
Refrigerant	R290
Charge	105g
Plug Supplied	Yes, 1 x 10A
Plug Location	2m long, bottom right rear

Internal Light	No
No. of Lids	2
Lid Type	Slide
Lid Shape	Curved
Lid Lock	Yes
Safety Glass Lid	Yes
Lockable Front Castors	Yes
No. of Baskets	6
Temp. Controller	Analogue controller, digital display
Colour	White
Warranty	2 Years, Parts & Labour Bromic Extra Care

DIMENSIONS

External (mm)	
Width	1750
Depth	615
Height	949
Internal (mm)	
Width	1630
Depth	495
Height	708