

Flat Glass Door 444L LED Display Fridge

| Vertical Display & Storage



High-impact LED lighting
and customisable lightbox
capture attention

Adjustable thermostat
for accurate temperature
maintenance

Double-glazed safety
glass doors increase
energy efficiency

Powerful fan for even
circulation of cold air

Adjustable shelving
for flexibility in
display configuration

High-impact internal
lighting for perfect
product presentation

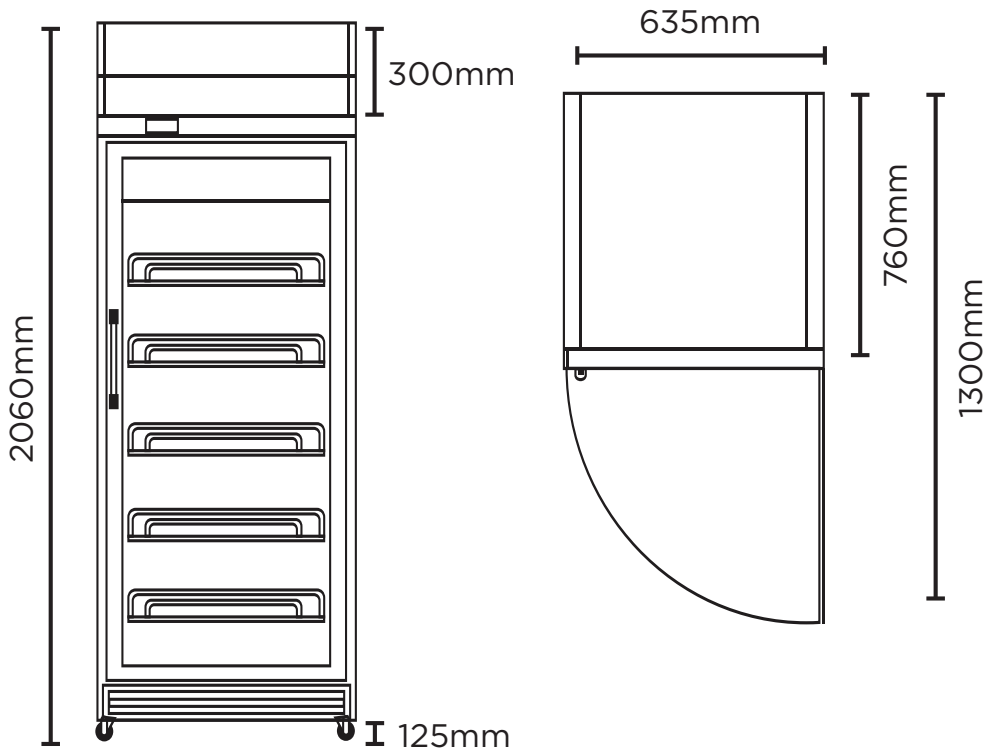
High-density polyurethane
insulation keeps
temperature and energy
consumption low

Self-closing
doors minimise
temperature loss

Lockable castors
make movement and
placement easy

Flat Glass Door 444L LED Display Fridge

| Vertical Display & Storage



SPECIFICATIONS				DIMENSIONS	
Model Number	GD0500LF	Colour	White with s/steel trim	External (mm)	
Part Number	3736245	Display Light Box	Yes	Width	635
Volume	444L	Internal Light	LED	Depth	760
Unit Weight	95kg	No. of Doors	1	Height	2060
Packaged Weight	100kg	Door Type	Glass	Internal (mm)	
Adjustable Temp. Range	+2 to +8°C	Door Glass Type	Double glazed	Width	520
Max. Ambient Temp.	38°C	Door Style	Hinged	Depth	550
Climate Class	3M2	Door Shape	Flat	Height	1420
Energy Consumption	17.76kWh/24h	Door Swing Dimension	720mm	Packaged (mm)	
GEMS Star Rating	1 Star	Total Depth of door open	1300mm	Width	700
Refrigeration Capacity	740W	Self-Closing Door	Yes	Depth	820
Refrigerant	R134a	Door Lock	Yes	Height	2116
Rated Current	4.5A	No. of Shelves incl Base	6	Warranty	
Electrical Voltage	220-240V	Shelf Type	Adjustable	2 Years Bronic Extra Care Warranty - Labour and Parts	
Frequency	50Hz	Shelf Dimensions	501(w) x 475(d) mm		
Power Supply	Single Phase	Temp. Controller	Digital		
Plug Plug	Yes, 1 x 10A	Castors	Yes		
Plug Location	Top Right	Warranty	2 Years Bronic Extra Care Warranty - Labour and Parts		