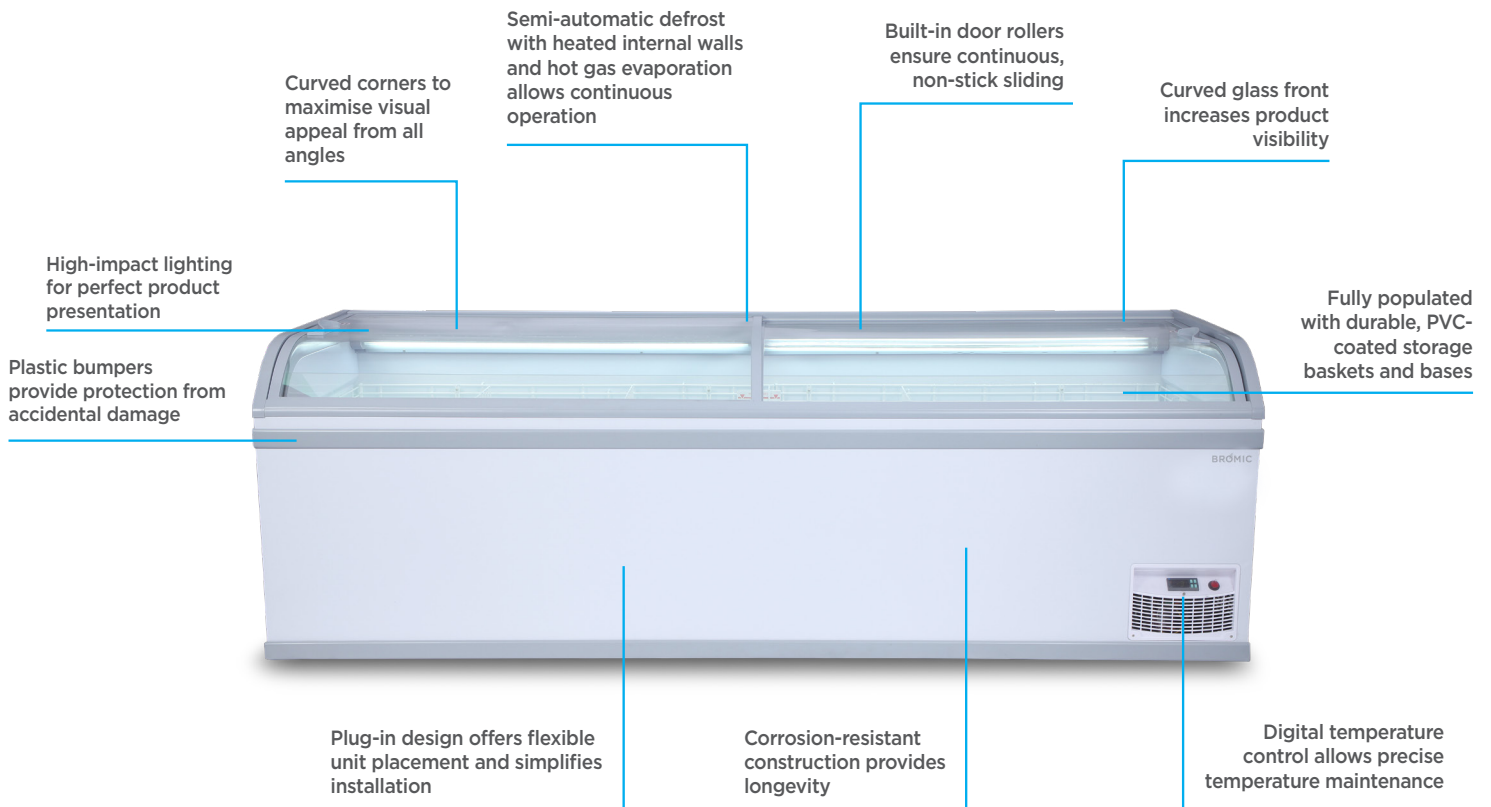


IRENE ECO 250 | Irene ECO 2505mm Island Freezer

Island Freezers

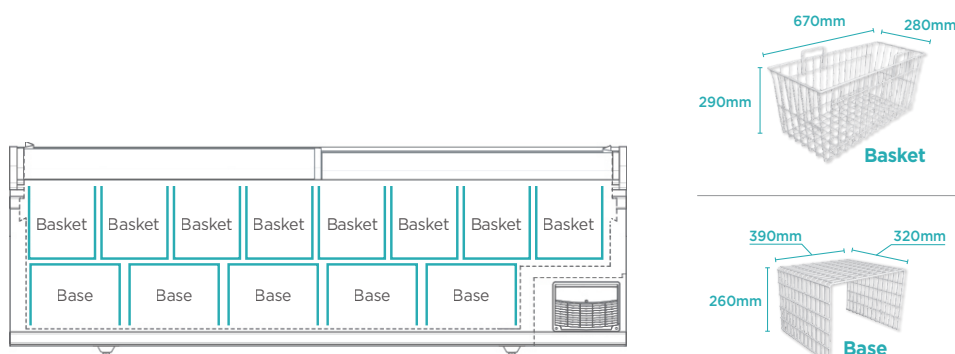
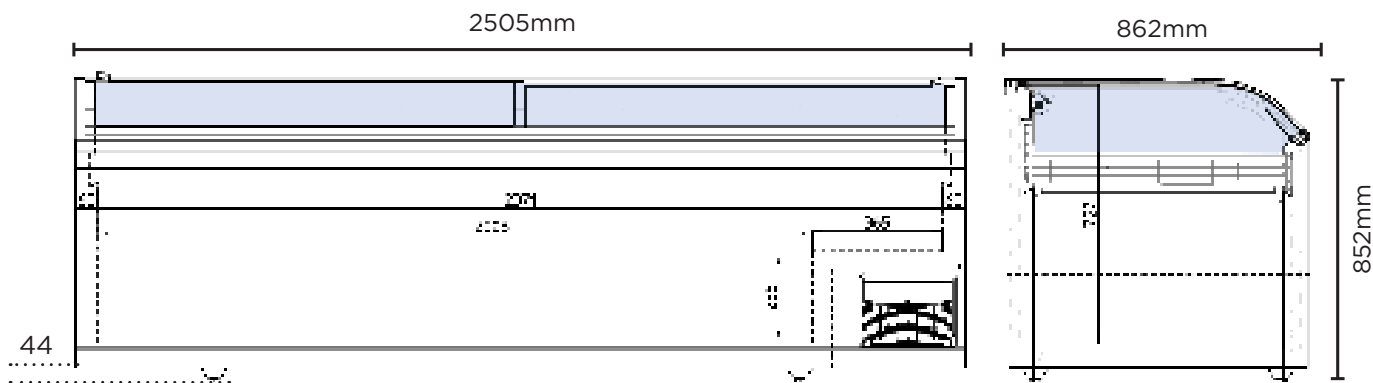
IRENE ECO 250

IRENE ECO 2505MM ISLAND FREEZER



IRENE ECO 250 | Irene ECO 2505mm Island Freezer

Island Freezers



SPECIFICATIONS

Model	IRENE ECO 250	No. of Lids	2
Part Number	3735317	Lid Type	Slide
Capacity	1155/815L	Lid Shape	Curved
Temp. Range (°C)	-25 to -18°C	Glazed Safety Glass	Yes
Max. Ambient Temp. (°C)	25°C Class 5	Digital Temp. Controller	Yes
Refrigeration Capacity	740W	Feet	Yes
Energy Consumption	7.7kWh/24h	No. of Baskets Incl.	8
Current	3.5A	No. of Bases Incl.	5
Gross Weight	202kg	Defrost System	Semi-Automatic
Packaged Dimensions	2625 x 980 x 1010 mm	Colour	White
Refrigerant	R290	Warranty	1 Year, Parts & Labour
Plug Supplied	Yes, 2 x 10A	Warranty Service	Bromic Extra Care
Plug Location	Underneath cabinet		
Total Display Area	1.7m ²		
Main Light	Fluorescent		

DIMENSIONS

External (mm)	
Width	2505
Depth	862
Height	852
Internal (mm)	
Width	2371
Depth	702
Height	753

BROMIC PTY Ltd reserve the right to alter specifications without notice.