

PIZZA OVEN TWIN SHELF

MANUFACTURING
SINCE 1966



Model: POA1001



FEATURES

- Robust Stainless Steel construction
- 3 x Heating elements for accurate heat distribution
- 2 Ceramic plates
- Suitable for fresh or frozen pizza
- Temperature range 60°C - 400°C
- 15 minutes timer

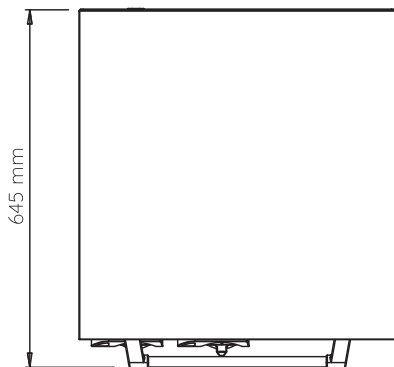
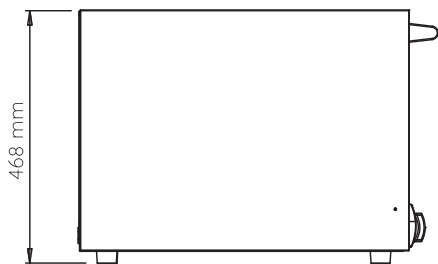
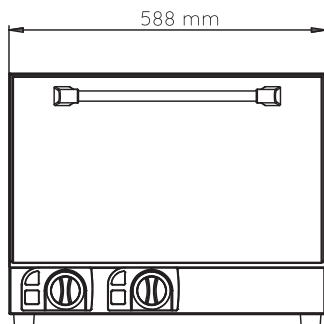


ALL ANVIL EQUIPMENT COMES WITH A TWO YEAR WARRANTY ON COMPONENTS AND DEFECTIVE WORKMANSHIP.

www.anvilworld.com

Model: POA1001**SPECIFICATIONS**

POWER	2.85kW
VOLTAGE	230V - 50Hz
PACKAGING (W x D x H)	700 x 720 x 520 (mm)
UNIT (W x D x H)	588 x 645 x 468 (mm)
CHAMBER DIMENSIONS	2 Standard size pizzas - 300mm
CAPACITY	470 x 487 x 239 (mm)
NET WEIGHT	40kg
GROSS WEIGHT	38kg
SHIPPING VOLUME	0.26m ³

**NOTE**

- When viewing the appliance from the front in its usual operating position, the width (W) of the product is the total distance from left to right; the depth (D) of the product is the total distance from the front to the back; the height (H) is the total distance from the bottom of the product to the top. Pictures may vary from actual product.

DISCLAIMER

- Output performance figures quoted are dependant on various factors. Anvil reserves the right, without notice, to make changes and revisions to product specifications, materials and design, when we believe it will provide better performance, durability, and efficiency. Unit measurements may vary depending on point of reference.



ALL ANVIL EQUIPMENT COMES WITH A TWO YEAR WARRANTY ON COMPONENTS AND DEFECTIVE WORKMANSHIP.

www.anvilworld.com