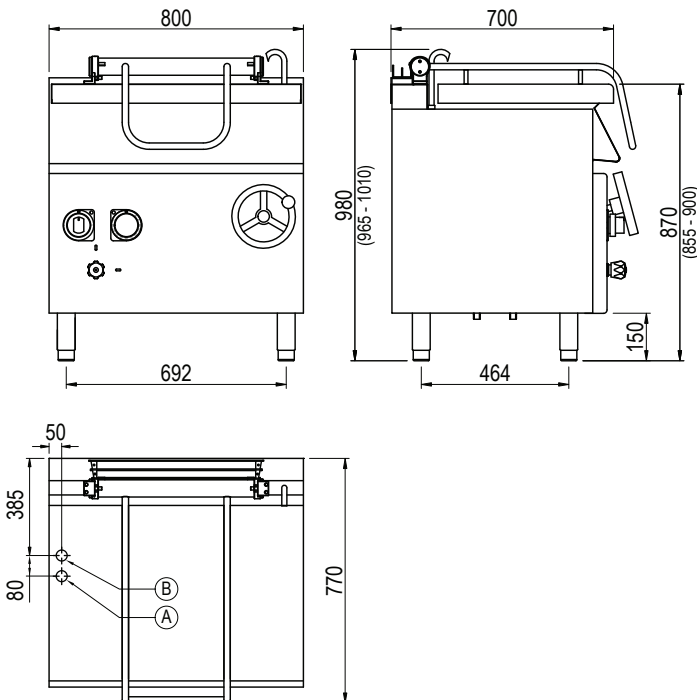




Product Information:

- Class leading, European style, professional quality and reliability since 1963
- 700 series, high performance electric bratt pan with 50 litre capacity and manual tilting pan (10.8kW)
- Duplex 2304 10mm thick stainless steel base for superior heat transfer, strength and corrosion resistance
- Heating elements with Hi-limit temperature protection
- Temperature regulation via thermostat (50°C - 300°C)
- Heating shut off via microswitch when the pan is tilted
- Indicator lights to monitor the correct operation of the appliance
- Water fill via integrated valve and spout
- Double skinned counterbalanced lid with rear condensation channel
- Robust 304 grade stainless steel construction with rounded corners for improved cleaning
- Height adjustable stainless steel feet for a 900mm working height
- 24-month warranty

General Drawing:



Specifications:

Model	BE74XMT
W x D x H (mm)	800 x 770 x 980
Weight	160kg
Capacity	50L
Packed Dimensions (mm)	845 x 825 x 1200
Packed Weight (mm)	170kg
Electrical Connection	3Ø + N + E 415VAC / 50Hz / 10.8kW

Legend:

- A Electrical Connection
- B Water Connection 1/2" BSP

