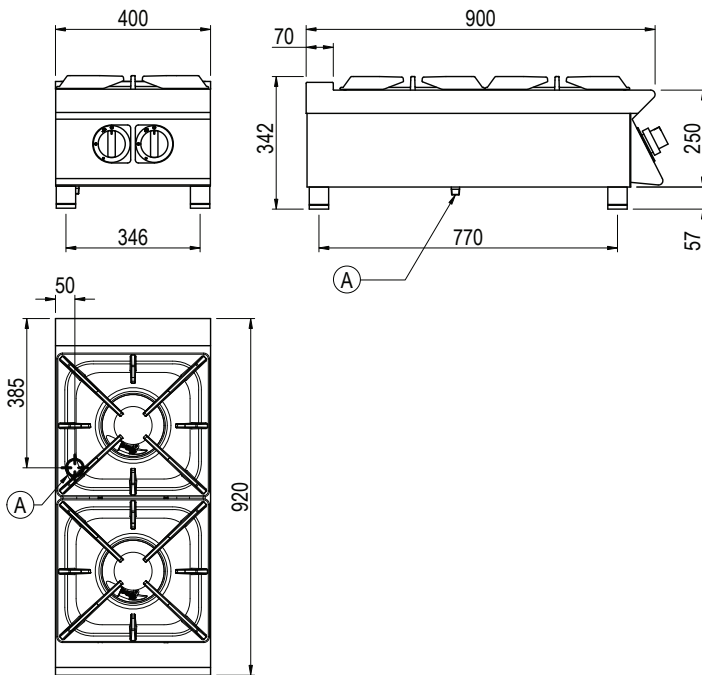




**Product Information:**

- Class leading, European style, professional quality and reliability since 1963
- 900 series, high performance open burners (2 x 36 MJ/h)
- Black enamelled cast iron trivets; acid, alkaline and flame resistant with extra long fingers to allow use with small and large pots
- Open burners complete with flame failure device and pilot burner, both heavily protected against accidental impact and overflows
- Open burner temperature regulation via variable power flame control
- Robust 304 grade stainless steel construction with rounded corners for improved cleaning
- Hermetically sealed, pressed work surface with raised edges to protect from overflow
- 24-month warranty

**General Drawing:**



**Specifications:**

<b>Model</b>	CG920TT	
<b>W x D x H (mm)</b>	400 x 920 x 342	
<b>Weight</b>	40kg	
<b>Packed Dimensions (mm)</b>	450 x 1025 x 570	
<b>Packed Weight (mm)</b>	47kg	
	<b>Natural</b>	<b>Universal LPG</b>
<b>Gas Connection</b>	1/2" BSP	1/2" BSP
<b>Minimum Normal Test Gas Pressure</b>	1.3 kPa	2.75 kPa
<b>Maximum Normal Test Gas Pressure</b>	3.5 kPa	3.5 kPa
<b>Nominal Test Point Pressure</b>	1.0 kPa	2.65 kPa
<b>Total Nominal Gas Consumption</b>	72 MJ/h	72 MJ/h

**Note:** It is the responsibility of the installing gas plumber to ensure correct supply and connection sustaining appropriate pressure, when all installed gas appliances are operating at maximum.

**Legend:**

A Gas Connection