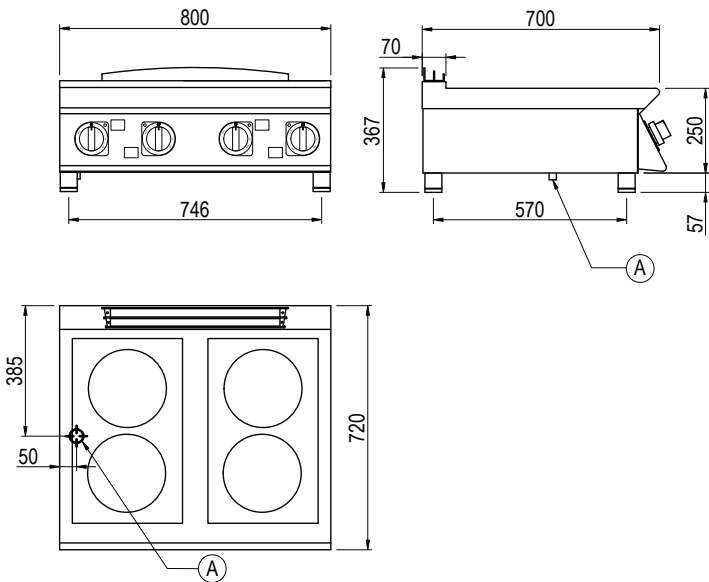




**Product Information:**

- Class leading, European style, professional quality and reliability since 1963
- 700 series, 6mm, ceramic glass induction boiling top, with four independent cooking zones (4 x 3.8kW)
- Automatic heat generation when induction specific pan is placed on the cooktop
- Automatic shut off when pan is removed from the cooktop
- Precise heat transfer for shorter cook times and enhanced operator safety and comfort
- Independent temperature regulation via 6 position selectors
- LED lights to monitor the correct operation of the appliance
- Robust 304 grade stainless steel construction with rounded corners for improved cleaning
- 24-month warranty

**General Drawing:**



**Specifications:**

<b>Model</b>	CI740TT
<b>W x D x H (mm)</b>	800 x 720 x 367
<b>Weight</b>	65kg
<b>Cooking Zone</b>	4 x Ø230mm
<b>Packed Dimensions (mm)</b>	845 x 825 x 570
<b>Packed Weight (mm)</b>	75kg
<b>Electrical Connection</b>	3Ø + N + E 415VAC / 50Hz / 15kW

**Legend:**

A Electrical Connection

