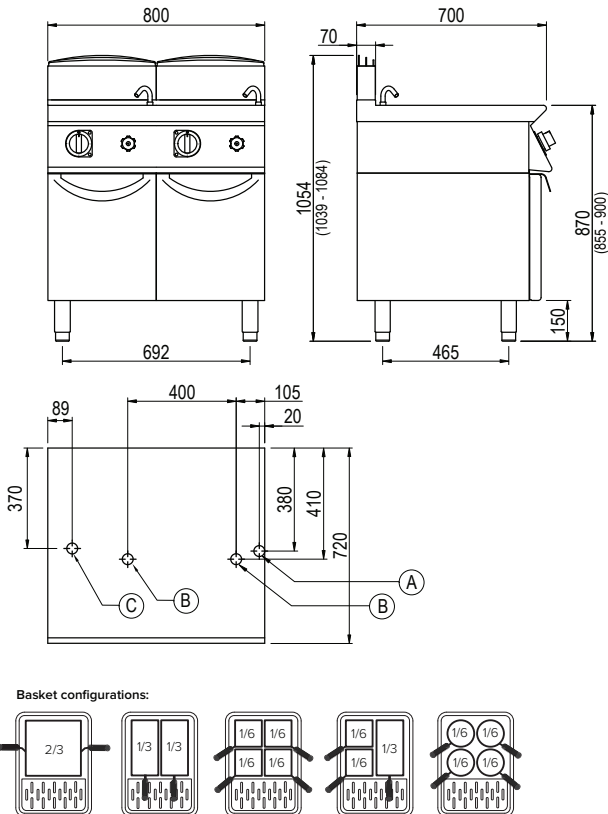




**Product Information:**

- Class leading, European style, professional quality and reliability since 1963
- 700 series, electric 2 x 26 litre, double tank pasta cooker (13kW)
- Heating elements positioned external to the tank for ease of cleaning inside
- Complete with Hi-limit temperature protection and manual reset
- Temperature regulation via 3 position selectors
- Low-water level safety switch to prevent operation when empty
- Manual water fill via integrated tap and spout with water drainage via concealed ball valve inside the base
- Indicator lights to monitor the correct operation of the appliance
- 316 grade stainless steel tanks (2x 340x310mm) for corrosion resistance
- Robust 304 grade stainless steel construction with rounded corners for improved cleaning
- Pressed top work surface with raised edges to protect from overflow
- Enclosed base with front access doors
- Height adjustable stainless steel feet for a 900mm working height
- Baskets and lids not included, sold separately (see below)
- 24-month warranty

**General Drawing:**



**Specifications:**

<b>Model</b>	CPE746T
<b>W x D x H (mm)</b>	800 x 720 x 1054
<b>Weight</b>	70kg
<b>Capacity</b>	2 x 26L
<b>Packed Dimensions (mm)</b>	845 x 825 x 1200
<b>Packed Weight (mm)</b>	80kg
<b>Electrical Connection</b>	3Ø + N + E 415VAC / 50Hz / 13kW

**Legend:**

<b>A</b>	Electrical Connection
<b>B</b>	Drain Connection 1" BSP
<b>C</b>	Cold Water Connection 1/2" BSP

**Accessories - Sold Separately**

<b>SPGI.2004151</b>	Lid
<b>SPGI.2003080</b>	1/6 GN Round Basket
<b>SPGI.2003045</b>	1/6 GN Basket - right handle
<b>SPGI.2003047</b>	1/6 GN Basket - left handle
<b>SPGI.2003046</b>	1/3 GN Basket - left to right
<b>SPGI.2003075</b>	2/3 GN Basket
<b>SPGI.2003077</b>	1/3 GN Basket - front to back

Due to continuous product research and development, the information contained herein is subject to change without notice.

Revision: 01 - 25/01/2022 - A

[www.stoddart.com.au](http://www.stoddart.com.au)

[www.stoddart.co.nz](http://www.stoddart.co.nz)

