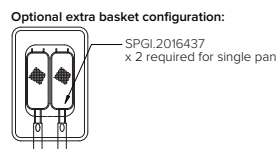
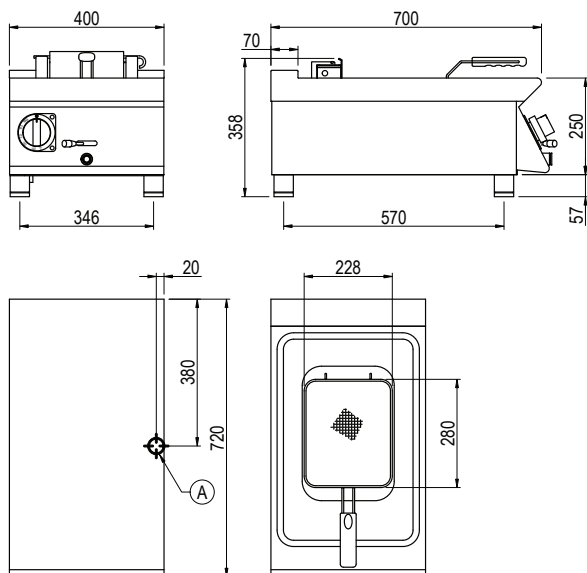




Product Information:

- Class leading, European style, professional quality and reliability since 1963
- 700 series, electric 10 litre, single pan countertop fryer (10.8kW)
- Immersed heating elements with Hi-limit temperature protection and manual reset. Hinged mechanism to facilitate easy cleaning inside the tank.
- Temperature regulation via thermostat (100°C – 195°C)
- Thermostat bulbs protected against accidental impact
- 238x348mm single tank with oil drainage via safety interlocked lever and removable chrome spout
- Indicator lights to monitor the correct operation of the appliance
- Robust 304 grade stainless steel construction with rounded corners for improved cleaning
- Pressed top work surface with raised edges to protect from overflow
- Supplied with removable element protector grid, 1x 228x280x120mm basket and lid
- Additional baskets sold separately (see below)
- 24-month warranty

General Drawing:



Specifications:

Model	FE7110TT
W x D x H (mm)	400 x 720 x 358
Weight	30kg
Oil Capacity	10L
Packed Dimensions (mm)	450 x 825 x 570
Packed Weight (mm)	35kg
Electrical Connection	3Ø + N + E 415VAC / 50Hz / 10.8kW

Legend:

A Electrical Connection

Due to continuous product research and development, the information contained herein is subject to change without notice.

Revision: 01 - 05/01/2022 - A

www.stoddart.com.au
www.stoddart.co.nz

