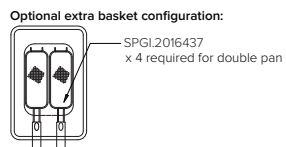
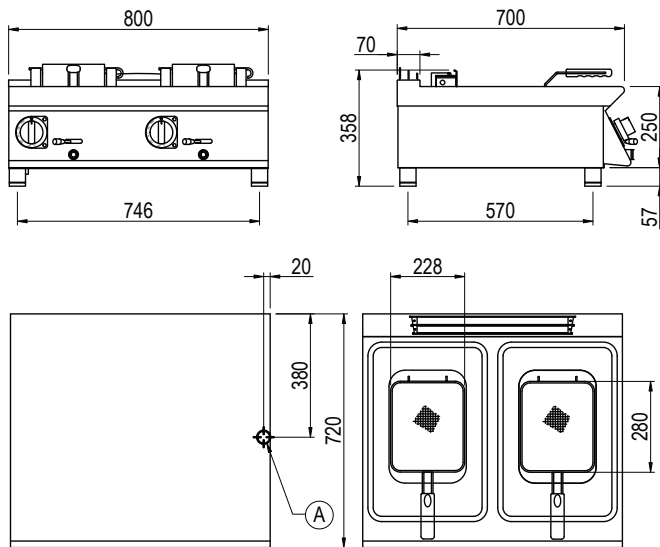




Product Information:

- Class leading, European style, professional quality and reliability since 1963
- 700 series, electric 2 x 10 litre, double pan countertop fryer (21.6kW)
- Immersed heating elements with Hi-limit temperature protection and manual reset. Hinged mechanism to facilitate easy cleaning inside the tank.
- Temperature regulation via thermostat (100°C – 195°C)
- Thermostat bulbs protected against accidental impact
- 2x 238x348mm single tank with oil drainage via safety interlocked lever and removable chrome spout
- Indicator lights to monitor the correct operation of the appliance
- Robust 304 grade stainless steel construction with rounded corners for improved cleaning
- Pressed top work surface with raised edges to protect from overflow
- Supplied with removable element protector grid, 2x 228x280x120mm baskets and lid
- Additional baskets sold separately (see below)
- 24-month warranty

General Drawing:



Due to continuous product research and development, the information contained herein is subject to change without notice.

Revision: 01 - 05/01/2022 - A

www.stoddart.com.au
www.stoddart.co.nz



Specifications:

Model	FE7210TT
W x D x H (mm)	800 x 720 x 358
Weight	55kg
Oil Capacity	2 x 10L
Packed Dimensions (mm)	65kg
Packed Weight (mm)	845 x 825 x 570
Electrical Connection	3Ø + N + E 415VAC / 50Hz / 21.6kW

Legend:

A Electrical Connection