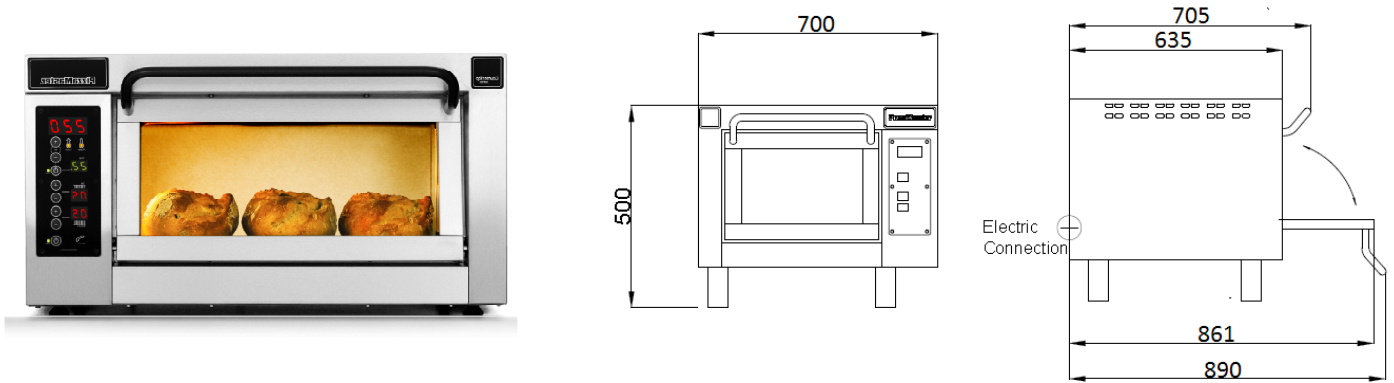




## PM 451 ED



## TECHNICAL INFORMATION

Category	450 Series Standard width
Type	CounterTop
Construction	Stainless steel front
Colour	Classic Silver (Standard), Royal Gold (option), Phantom Black (Option)
Max. working temperature	400 <sup>0</sup> C, 500 <sup>0</sup> C (Option)
Weight (kg)	67
External Dimensions W x D x H (mm)	700 x 650 x 500
Internal Dimensions (per hearthstone) W x D x H (mm)	410 x 410 x 190
Separate decks per oven	1
Hearthstones per oven	1
Power connection	3 Phase, 400V, 50Hz, or 1 Phase, 230V 50Hz
Power consumption (kw)	3.63
Rated current 3 Phase (A)	10
Rated current 1 Phase (A)	20
Digital display	Standard
Legs with lockable castors	Standard
Timer with manual shut-off alarm	Standard
Turbo start function	Standard
Auto-Timer with alarm	Standard