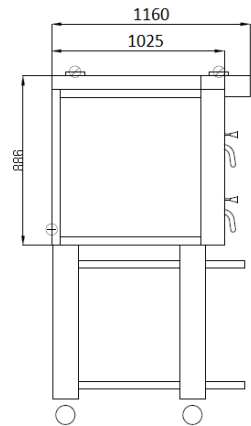
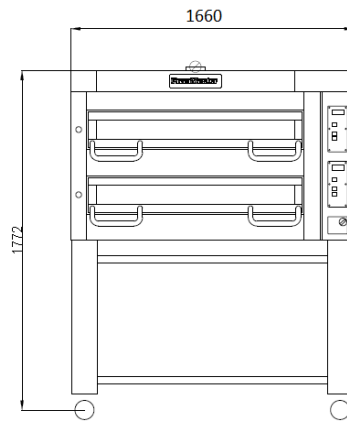




PM 832 ED



TECHNICAL INFORMATION

Category	800 Series (optimizes for pizzas up to 16 in)
Type	Free Standing
Construction	Stainless steel front
Colour	Classic Silver (Standard), Royal Gold (option), Phantom Black (Option)
Max. working temperature	400 ⁰ C, 500 ⁰ C (Option)
Weight (kg)	450
External Dimensions W x D x H (mm)	1660 x 1025 x 820
Internal Dimensions W x D x H (mm)	1230 x 820 x 210 / 245 (Option)
Decks (special clay hearthstone)	2
Power connection	3 Phase, 400V, 50Hz,
Power consumption (kw)	27
Rated current (A)	40
Capacity (pizzas per deck) 10 in	14
Capacity (pizzas per deck) 14 in	6
Capacity (pizzas per deck) 16 in	6
Capacity (pizzas per deck) 18 in	3
Digital control panel	Standard

For detailed information about available options please refer to www.skanos.com.au

T 1300 003 822
E sales@skanos.com.au

Head Office Address:
Unit 1 ground level/1/7 Airs Rd,
Minto NSW 2566

Post Office Address:
PO Box 5019 Minto
NSW 2566

www.skanos.com.au/

