



ASIAN COOKING RANGES, WOKS



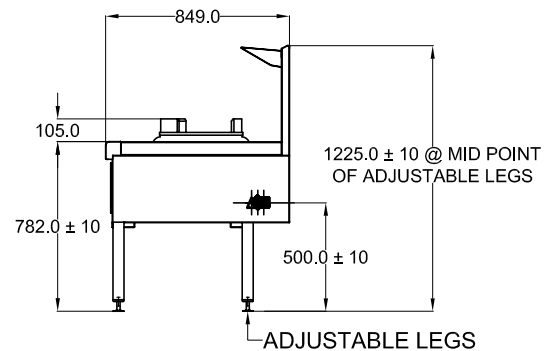
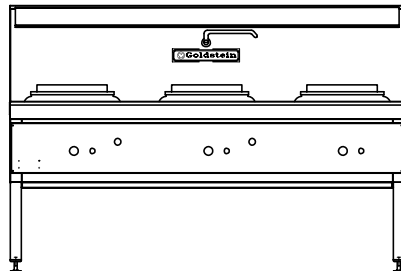
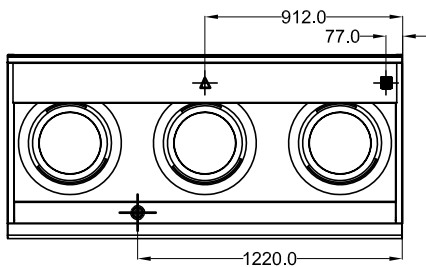
CWA3 - Gas

- Air cooled decks for maximum water efficiency – saves 90% of water usage
- Fresh water swivel spout with tap
- Manually operated water control tap
- All stainless steel construction
- Heavy duty dual ringed burner
- Heavy duty duckbill burner

Other options

Front or rear drain trough

Any combination of burners arrangement – Double ring, Mongolian or Duckbill burners



CWA3

SPECIFICATIONS

Dimensions (WxDxH)	1820 x 850 x 1225 mm
Working height	900 mm
Wok size (diameter)	3x 356 mm
Wok type	Dual Ring / Mongolian / Duckbill

- 1" BSP Gas Inlet
- 1/2" BSP Water Inlet
- 1 1/2" Waste Drain

Gas Connection	1" BSP
Rating	Dual Ring 162 Mj Mongolian 270 Mj Duckbill 360 Mj
Weight	180 kg
Packed	2.0 m ³

Australia's premier food service equipment manufacturer

middleby.com.au

211-217 Woodpark Road, Smithfield NSW 2164
1800 013 123 | +61 2 9604 7333

MIDDLEBY GOLDSTEIN

