



Goldstein

800 SERIES RANGES 700mm GAS STATIC OVEN

PFT28-X



Standard features and benefits

- High performance, even heat 40 MJ top burner for peak productivity
- Heavy duty welded stainless steel body for rigidity and durability
- Gas or electric static oven and gas fan forced and convection oven options are available, all in gastronorm compatible sizes
- Constant pilot flame, maximises operating and energy efficiency
- Pilot flame failure on all burners, flame failure to oven burner
- Stainless steel fascia and sides, spill zone and drip trays for ease of cleaning
- Large, heat resistant reinforced control knob with easy to view settings and high to low flame control
- Ergonomic door handle and angled corners create a sleek look
- Adjustable legs 140-170mm
- Easy to service



Oven

- 100°C - 280°C thermostatic control
- Piezo ignition
- Oven and door are fully insulated with vitreous enamel for even heat distribution and easy cleaning
- GN 1/1 capacity with 3 position racking
- Heavy duty chrome wire rack supports designed for easy removal

Oven Options

- Gas static, fan forced and convection oven
- Electric static oven



Cert. No.
AGA 7732



MIDDLEBY GOLDSTEIN

1800 013 123 | +61 2 9604 7333
sales@middleby.com.au
middleby.com.au

VIC - TAS - 47 Stubbs Street, Kensington VIC 3031
QLD - U12, 210 Queensport Rd Nth, Murarrie QLD 4172
WA - U2, 9 Meares Way, Canning Vale WA 6155

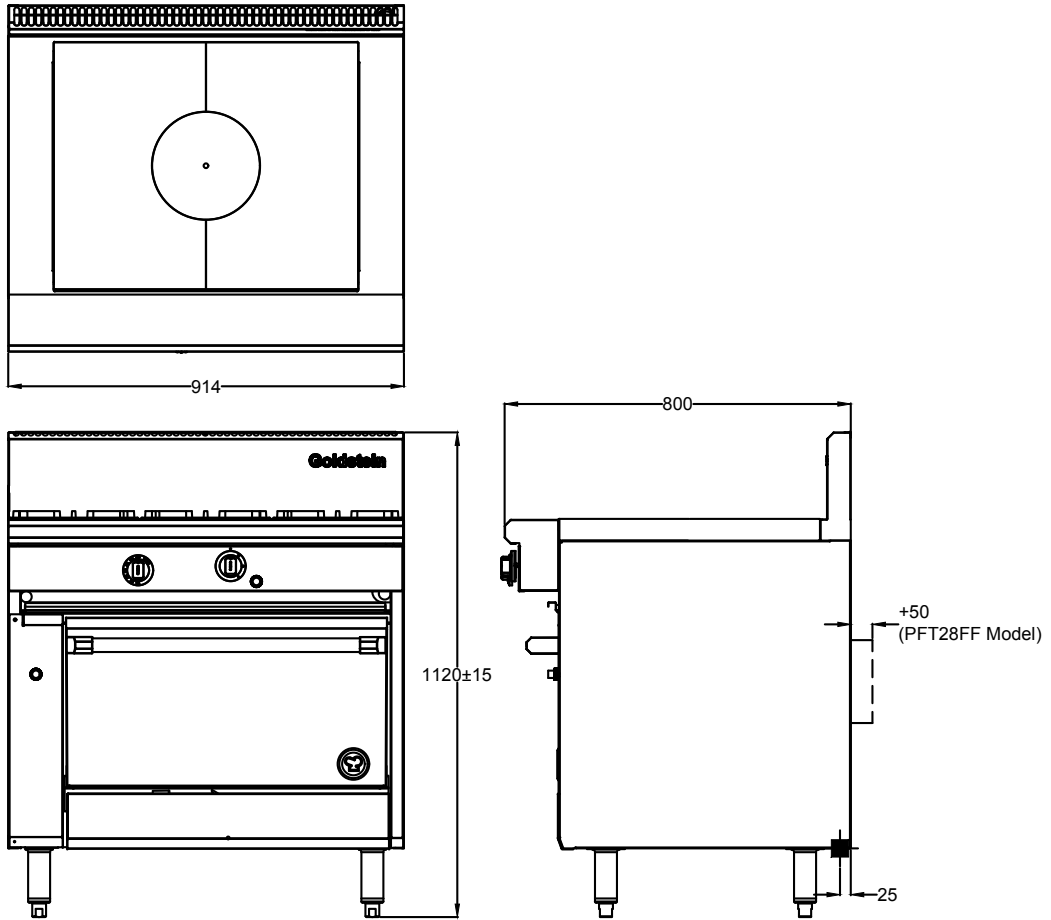
**HEAD OFFICE
AND MANUFACTURING PLANT**
211-217 Woodpark Road, Smithfield NSW 2164

v1_2025



PFT28-X

800 SERIES RANGES, 700mm GAS STATIC OVEN



SPECIFICATIONS

Dimensions (WxDxH)	914 x 800 x 1120 mm
Working height	900 mm
Oven size (WxDxH)	700 x 560 x 355 mm

Oven Rack Positions	3
Gas connection	3/4" BSPM
Rating NG/LPG	68/70 MJ
Packed dimensions	980 x 900 x 1200 mm

OVEN OPTIONS

Model Number	Dimensions WxDxH	Oven size WxDxH	Rating	Rating (kW)
PFT28FF-X Gas Fan Forced Oven	914 x 850 x 1120 mm	700 x 525 x 355 mm	68/70 MJ	
PFCT28-X Gas Convection Oven	914 x 900 x 1120 mm	690 x 410 x 320 mm	40/40 MJ	10 kW
PFT28E-X Electric Static Oven	914 x 800 x 1120 mm	700 x 560 x 305 mm	40/40 MJ	6.4 kW

Available in Natural and LP gas

INSTALLATION CLEARANCES (minimum)

Combustible Material	Sides	250* mm	Non-combustible Material	Sides	0 mm
	Back	50 mm		Back	0 mm

Note: * If adjacent surface is of combustible material and is 100mm below the cooking surface, then only 50mm clearance is required.

Please note, due to ongoing product development and improvement, we reserve the right to change product design and specification at any time without notice.



1800 013 123 | +61 2 9604 7333
sales@middleby.com.au
middleby.com.au

VIC - TAS - 47 Stubbs Street, Kensington VIC 3031
QLD - U12, 210 Queensport Rd Nth, Murarrie QLD 4172
WA - U2, 9 Meares Way, Canning Vale WA 6155

HEAD OFFICE AND MANUFACTURING PLANT
211-217 Woodpark Road, Smithfield NSW 2164

v1_2025